



## FEATURES

- Equipped with three C13 10A / AC outlet
- Built-in fuse for each outlet
- 43.8(W)x424(L)x60(H)mm



For full details go to

[www.murata.com/rohs](http://www.murata.com/rohs)



## PRODUCT OVERVIEW

MWOC-PDU-A-3 is equipped with three C13 AC outlets for provided power to peripheral equipment(Example:network switch etc). Each outlet has a 15A Class CC fuse on the circuit. PDU (Power Distribution Unit) is an accessory to a power shelf that don't have AC outlets and has Positronic 7pin connector for input. It is fixed to the PDU body or attached mounting bracket use screws or bolts.

## ORDERING GUIDE

Part Number <sup>1</sup>	Connector	Input Configuration
MWOC-PDU-A-3	Positronic 7 pin	<ul style="list-style-type: none"> <li>✓ Three-phase four-wire delta</li> <li>✓ Three-phase five-wire wye</li> <li>✓ Single-phase</li> </ul>

## INPUT / OUTPUT CHARACTERISTICS

Parameter	Conditions	Min.	Nom.	Max.	Units
Input / Output Voltage Operating Range	Three-phase four-wire delta	312	346-415	457	Vac
	Three-phase five-wire wye				
	Single-phase	180	200-240	264	
Frequency		47	50/60	63	Hz
Input Current	Three-phase four-wire delta (Each input, per line)			17.4	Arms
	Three-phase five-wire wye				
	Single-phase (Each input, per line)			10	
Output Current	Per Outlet			10	Arms
Fuse for outlets	Class CC			15	Arms

## ENVIRONMENTAL CHARACTERISTICS

Parameter	Conditions	Min.	Nom.	Max.	Units
Storage temperature range		-40		70	°C
Operating temperature range	altitude < 3,000m	0		40	
Storage humidity	non-condensing	10		90	%RH
Operating humidity	non-condensing	10		85	
Safety approval	See power shelf data sheet				
Weight			0.85		kg

## Murata Power Solutions

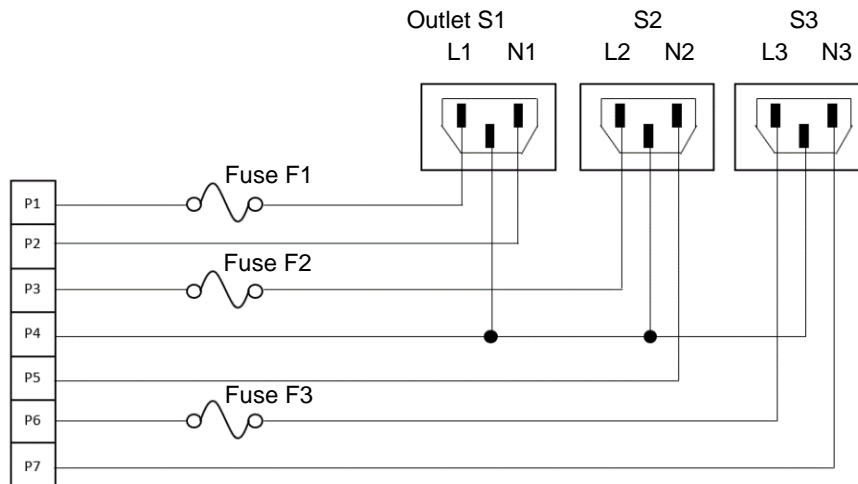
### INPUT CONNECTOR PIN ASSIGNMENT (AC INPUT)

Positronic SP10RSSH48RM220A1-AA-2269 (Input)  
 mating connector: Positronic SP10RSSH1F0W01/AA-2268

Wye Input			Delta Input			Single Input		
Pin No	Signal	Function	Pin No	Signal	Function	Pin No	Signal	Function
1	L1	AC line voltage 1	1	L1	AC line voltage 1	1	L	AC live
2	N	Neutral	2	L2	AC line voltage 2	2	N	Neutral
3	L2	AC line voltage 2	3	L2	AC line voltage 2	3	L	AC live
4	PE	Protective earth	4	PE	Protective earth	4	PE	Protective earth
5	N	Neutral	5	L3	AC line voltage 3	5	N	Neutral
6	L3	AC line voltage 3	6	L3	AC line voltage 3	6	L	AC live
7	N	Neutral	7	L1	AC line voltage 1	7	N	Neutral

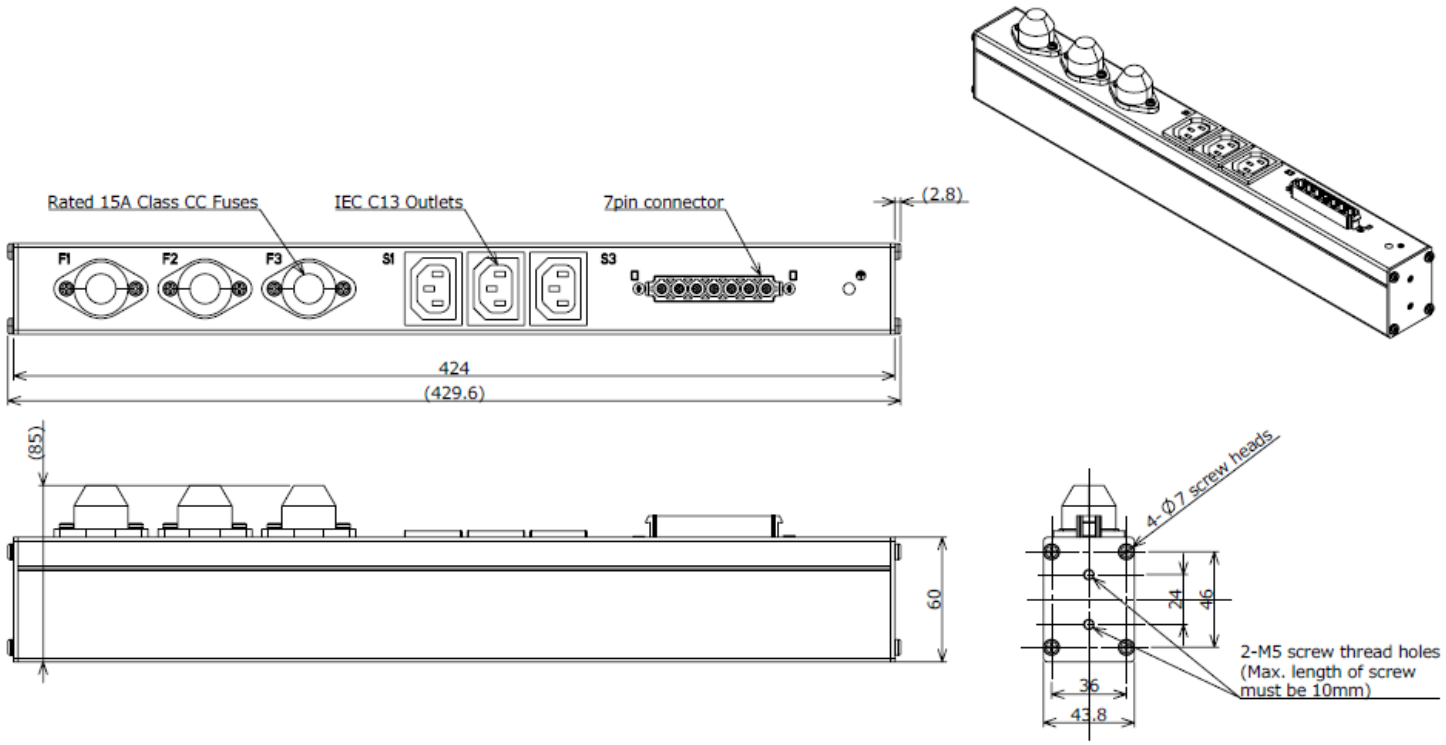
### INTERNAL CONNECTION

MWOC-PDU-A-3



**MECHANICAL DRAWING**

MWOC-PDU-A-3 without bracket



1. This drawing is a graphical representation of the product and may not show all fine details. Please contact Murata for 3D model for details
2. Dimensions in mm

**RELATED PRODUCT DATASHEETS**

Document Number	Description	Click link below to open online datasheet
MWOCES-211-P-C	21" OCP power shelf(ORV3)	Link to: <a href="#">Datasheet</a>
MWOCES-191-P-C	19" OCP power shelf(ORV3)	Link to: <a href="#">Datasheet</a>

[back to product overview](#)

**Murata Power Solutions, Inc.**  
 129 Flanders Rd. Westborough,  
 Ma 01581, USA.  
 ISO 9001 REGISTERED



This product is subject to the following operating requirements and the Life and Safety Critical Application Sales Policy: Refer to:

<https://www.murata.com/products/power/requirements/>

Murata Power Solutions, Inc. makes no representation that the use of its products in the circuits described herein, or the use of other technical information contained herein, will not infringe upon existing or future patent rights. The descriptions contained herein do not imply the granting of licenses to make, use, or sell equipment constructed in accordance therewith. Specifications are subject to change without notice.

©2021 Murata Power Solutions, Inc.